

Kvick Flow cassette holder

There are two versions of the Kvick™ Flow cassette holder: one uses the hydraulic and the other uses manual clamping systems. Both holders are used in cross flow filtration systems handling sample batch volumes from 5 to 1000 liters. These holders are designed for holding Kvick Flow-5 (0.46 m² or 5 ft²) and Kvick Flow-25 (2.33 m² or 25 ft²) cassettes. The holders can also be used with other cassettes with the same geometries. The front-mounted standard sanitary ports provide easy connection. The hydraulic holder is simple to use and the manual holder is an economical alternative.

Designed for flexibility and ease of use, Kvick Flow cassette holders may be used for concentration and diafiltration of biological solutions. With other products in the Kvick family, trial data can be linearly scaled up or down covering a great range of scales from laboratory to pilot to production processes.

Kvick Flow cassette holder features

Benefiting from a design and engineering approach usually reserved for large-scale production systems, the Kvick Flow cassette holders provide:

- Three forward facing ports for the convenience of pipe connection
- Vertically-oriented cassettes for easy installation
- Two versions: hydraulic holder for easy operation and manual holder for low cost

Components

The main components include a front plate (distribution manifold), a back plate, and tie rods. These components hold the cassettes in place and manage the flow of process fluids into and out of the cassettes. The hydraulic version contains a hydraulic cylinder and unit. The manual version contains a torque wrench. All holders are mounted on a stainless steel stand.

Cassettes

The Kvick Flow holder can hold up to 15 Kvick Flow-5 or three Kvick Flow-25 cassettes. Kvick Flow cassettes contain polyethersulfone (PES) membranes, are available in molecular weight cutoffs of 5 kD, 10 kD select, 10 kD, 30 kD, 50 kD, and 100 kD to fit a broad range of applications.

Typical applications

- Antibody concentration/diafiltration
- Plasma purification/concentration
- Recombinant protein concentration/diafiltration
- Plasmid concentration/diafiltration
- Vaccine concentration/purification





Figure 1. Kwick Flow hydraulic holder

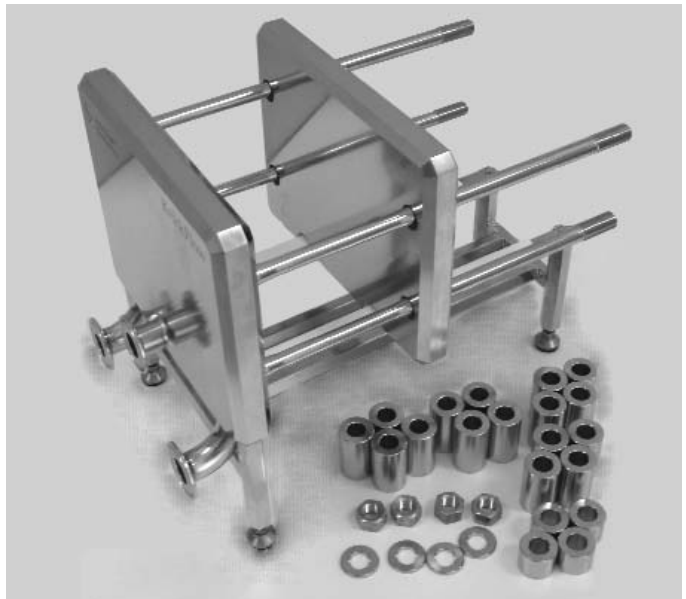


Figure 2. Kwick Flow manual holder

Kwick Flow cassette holder specifications

Feed and retentate port fittings:	1-inch TC
Permeate port fitting:	1-inch TC
Maximum temperature:	50°C (122°F)
Maximum feed pressure:	0 to 4 barg (5 to 60 psig)
Maximum cassette holding capacity:	(15) Kwick Flow-5 or (3) Kwick Flow-25 cassettes
Holdup volume (nominal):	90 ml, feed/retentate side
Hydraulic holder:	
Dimensions (W x L x H)	28 x 66 x 36 cm (11 x 26 x 14 in, without hydraulic unit)
Weight	45 kg (100 lb, without hydraulic unit)
Hydraulic unit:	
Dimensions (W x L x H)	54 x 41 x 33 cm (21 x 16 x 13 in)
Weight	39 kg (85 lb)
Manual holder:	
Dimensions (W x L x H)	28 x 59 x 36 cm (11 x 17 x 14 in)
Weight	36 kg (80 lb)

Materials of construction

Wetted parts:

Front plate (distribution manifold)	Polished 316L stainless steel, Ra <0.65 µm
Back plate	Polished 316L stainless steel, Ra <0.65 µm

Other parts:

Tie rods, washers, stand, and spacers:	316L stainless steel
Rail adapter	Teflon
Tie rod nuts	Brass

Ordering Information

Code number	Model number	Description
56-4115-93	KFHR0115000SS	Kvick Flow hydraulic holder, US-style power connection
56-4115-93	KFHR0115000SS20	Kvick Flow hydraulic holder, EU-style power connection
11-0006-67	KFHR0115TQE	Kvick Flow manual holder
56-4113-63	KFLGS001033	Kvick Flow cassette gasket
56-4113-78	KFSY0107CPM10	1-in sanitary CPM-style fitting for pressure gauge
56-4113-79	KFSY0107APGA100	Pressure gauge, 0-6.9 barg (0-100 psig), CPM style
56-4113-80	KFSY0107APSW100	Pressure gauge, 0-6.9 barg (0-100 psig), CPM style
56-4113-89	KFSY0107CPMORI	3/4-in O-ring for CPM fitting
56-4113-17	KFSY0105TCG10	1/2-in sanitary gasket, EPDM
56-4112-88	KFSY0107TCG15	1 1/2-in sanitary gasket, EPDM
56-4112-89	KFSY0107TCL15	1 1/2-in sanitary clamp, SS
56-4112-94	KFST01071DV10	1-in sanitary in-line diaphragm valve

For additional product and ordering information

please contact your local GE Healthcare representative.

www.gehealthcare.com

Global Headquarters GE Healthcare
Little Chalfont
Buckinghamshire, U.K. HP7 9NA

GE, imagination at work and GE monogram are trademarks of General Electric Company. Kwick is a trademark of General Electric Company.

All goods and services are sold subject to the terms and conditions of sale of the company within GE Healthcare which supplies them. GE Healthcare reserves the right, subject to any regulatory and contractual approval, if required, to make changes in specifications and features shown herein, or discontinue the product described at any time without notice or obligation.

© 2006 General Electric Company - All rights reserved.

GE Healthcare Bio-Sciences AB, a General Electric Company.

GE Healthcare Bio-Sciences AB
Björkgatan 30, 751 84 Uppsala, Sweden

GE Healthcare Europe GmbH
Munzinger Strasse 5, D-79111 Freiburg, Germany

GE Healthcare UK Ltd
Amersham Place, Little Chalfont, Buckinghamshire, HP7 9NA, UK

GE Healthcare Bio-Sciences Corp
800 Centennial Avenue, P.O. Box 1327
Piscataway, NJ 08855-1327, USA

GE Healthcare Bio-Sciences KK
Sanken Bldg. 3-25-1, Hyakunincho, Shinjuku-ku,
Tokyo 169-0073, Japan

Asia Pacific Tel +65 6275 1830 Fax +65 6275 1829 Australasia Tel + 61 2 9899 0999 Fax +61 2 9899 7511 Austria Tel 01/57606-1619 Fax 01/57606-1627 Belgium Tel 0800 73 888 Fax 02 416 82 06 Canada Tel 800 463 5800 Fax 800 567 1008
Central, East, & South East Europe Tel +43 1 972720 Fax +43 1 97272 2750 Denmark Tel 45 16 2400 Fax 45 16 2424 Finland & Baltics Tel +358 (0)9 512 39 40 Fax +358 (0)9 512 39 439 France Tel 01 69 35 67 00 Fax 01 69 41 96 77
Germany Tel 089 96281 660 Fax 089 96281 620 Greater China Tel +852 2100 6300 Fax +852 2100 6338 Italy Tel 02 27322 1 Fax 02 27302 212 Japan Tel +81 3 5331 9336 Fax +81 3 5331 9370 Latin America Tel +55 11 3933 7300 Fax +55 11 3933 7304
Middle East & Africa Tel +30 210 9600 687 Fax +30 210 9600 693 Netherlands Tel 0800 82 82 82 1 Fax 0800 82 82 82 4 Norway Tel 815 65 555 Fax 815 65 666 Portugal Tel 21 417 7035 Fax 21 417 3184 Russia & other C.I.S. & N.I.S Tel +7 (495) 956 5177
Fax +7 (495) 956 5176 Spain Tel 93 594 49 50 Fax 93 594 49 55 Sweden Tel 018 612 1900 Fax 018 612 1910 Switzerland Tel 0848 8028 12 Fax 0848 8028 13 UK Tel 0800 616928 Fax 0800 616927 USA Tel 800 526 3593 Fax 877 295 8102



imagination at work